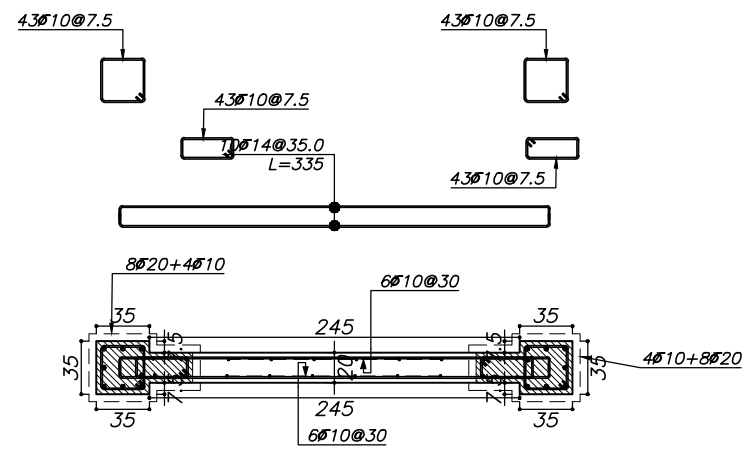


5
Scale 1:50

Iranian Concrete Code (ABA)
[16-4-7]
 $A_s(v) < 0.01 \cdot A_g \Rightarrow$ Vertical reinforcement need not be enclosed by cross ties.



6
Scale 1:50

Iranian Concrete Code (ABA)
[16-4-7]
 $A_s(v) < 0.01 \cdot A_g \Rightarrow$ Vertical reinforcement need not be enclosed by cross ties.