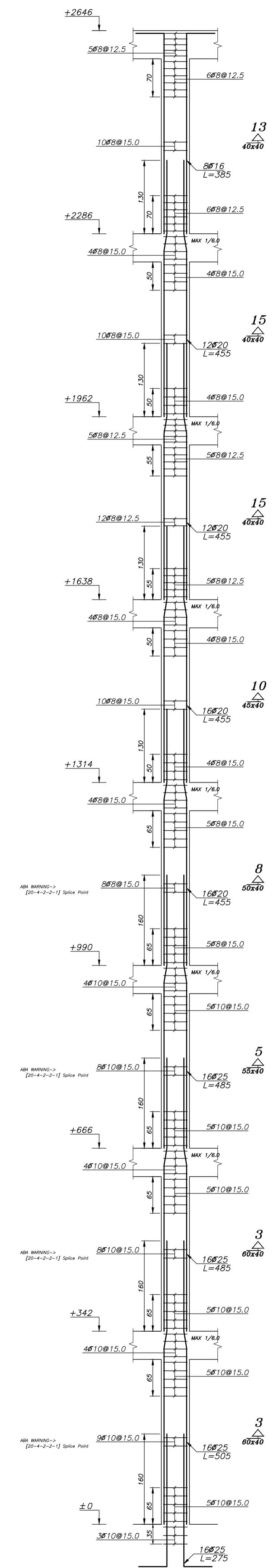
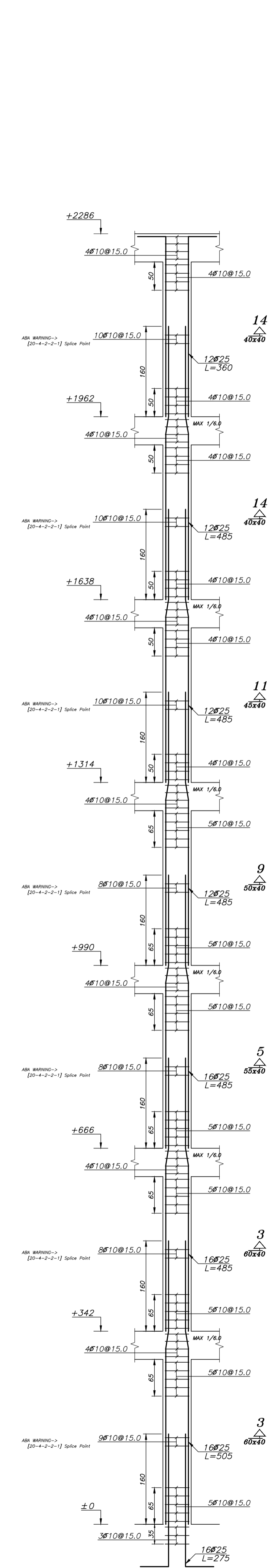


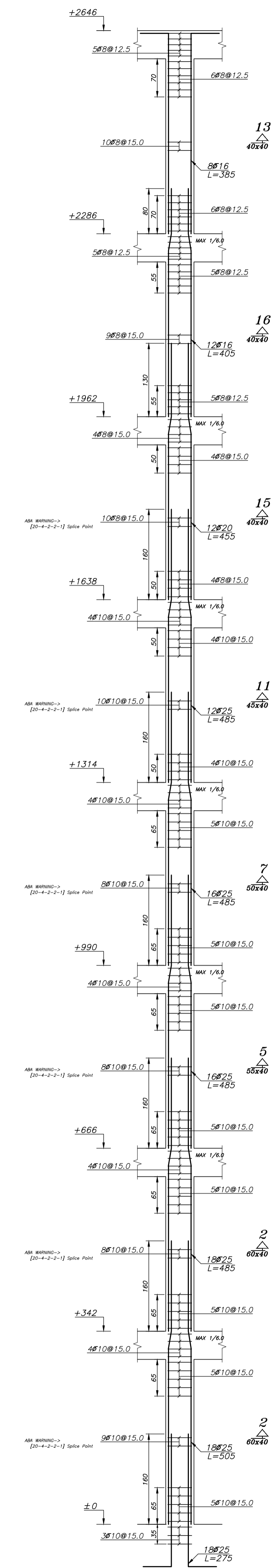
C-1
No. = 4
Scale 1:50



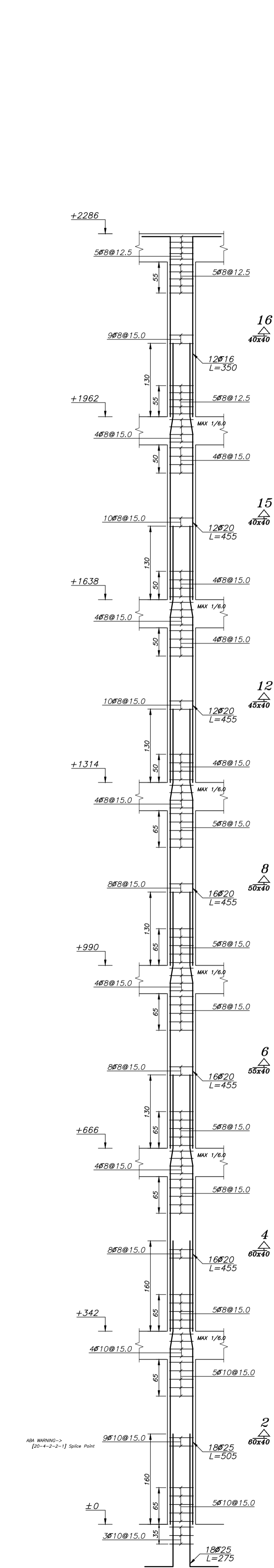
C-2
No. = 2
Scale 1:50



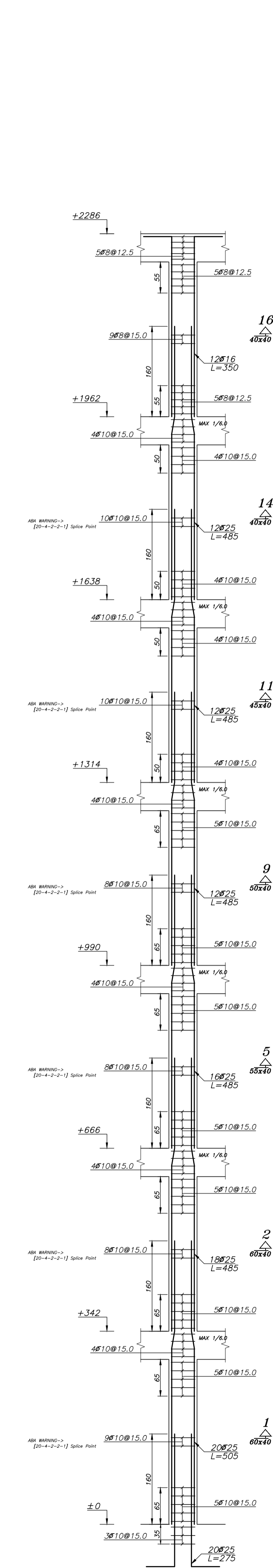
C-3
No. = 1
Scale 1:50



C-4
No. = 2
Scale 1:50



C-5
No. = 2
Scale 1:50



C-6
No. = 1
Scale 1:50